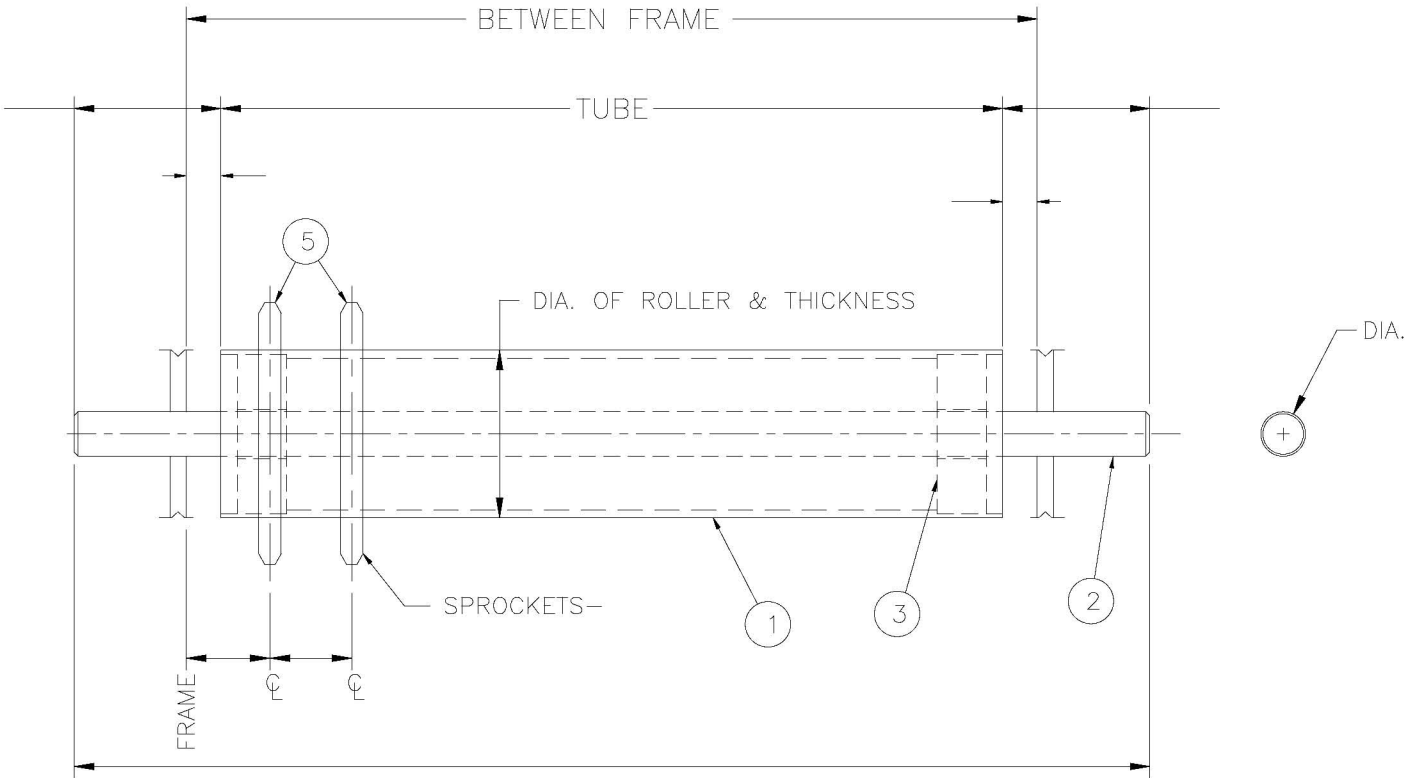


LATHRUP INDUSTRIES, INC.
 FOR APPROVAL ONLY!
 SUBMITTED: _____
 APPROVED WITHOUT CHANGES
 APPROVED WITH CHANGES NOTED
 NOT APPROVED – RESUBMIT
 BY: _____
 DATE: _____



NOTE: MAX FRAME THICKNESS = 1/4"

() REQD

4	2		SPROCKET –
3	2	STOCK	SLUG
2	1	STOCK	DIA. OF SHAFT
1	1	STOCK	DIA. ROLLER & THICKNESS
DET.	QTY.	PART NUMBER	MATERIAL & DESCRIPTION

DESCRIPTION:

POWER PULLEY ROLLER – BF

SCALE:

NONE

ENGINEERED BY:

DRAWN BY:

DATE:

ACAD .DWG:

ITEM NUMBER:

SHIP DATE:

JOB NUMBER:

COMPANY NAME:

LATHRUP INDUSTRIES INC.
 42300 W. NINE MILE RD., NOVI, MI 48375
 PH. (800) 536-3003/FAX (248) 349-1062

DRAWING NUMBER: