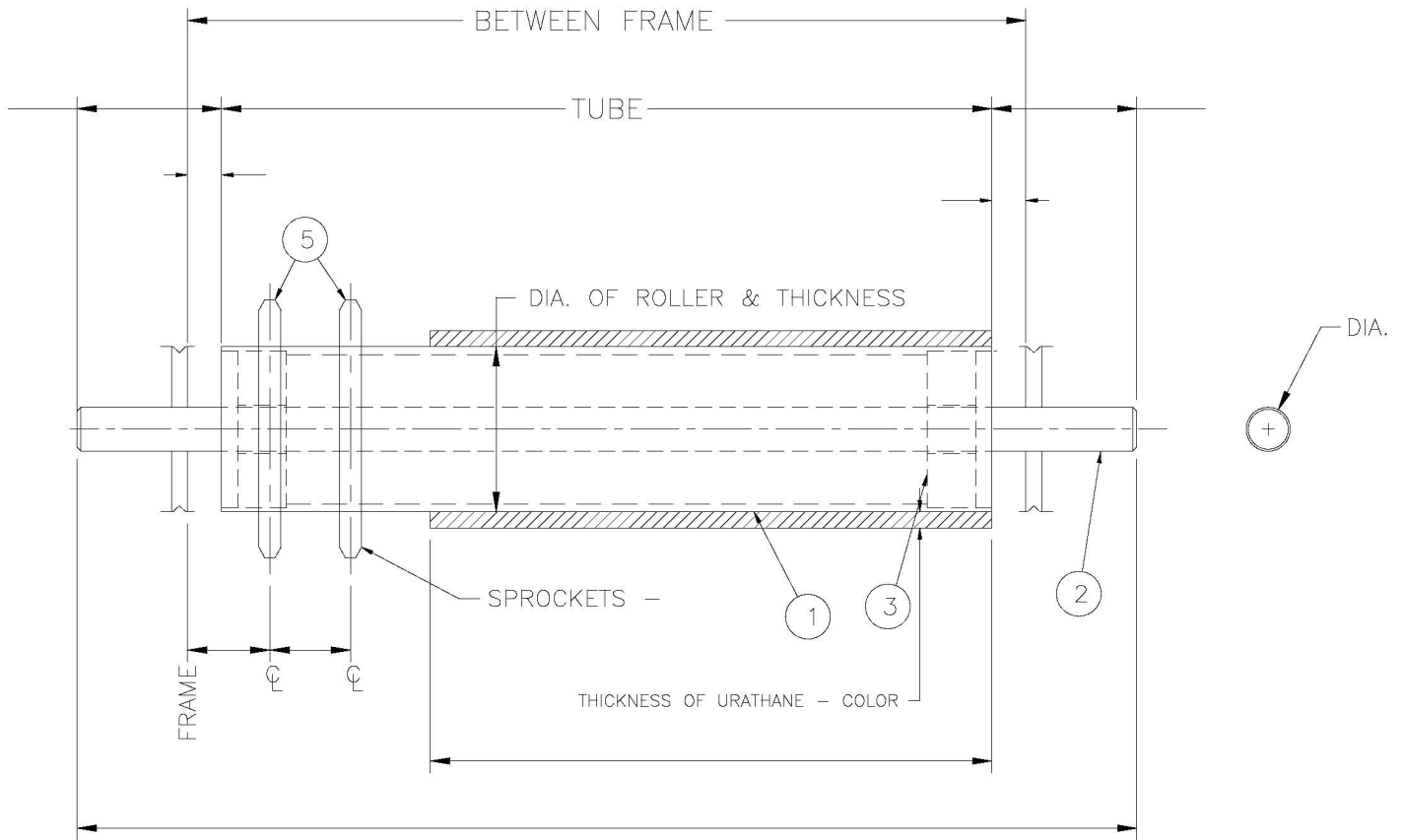


LATHRUP INDUSTRIES, INC.  
 FOR APPROVAL ONLY!  
 SUBMITTED: \_\_\_\_\_  
 APPROVED WITHOUT CHANGES  
 APPROVED WITH CHANGES NOTED  
 NOT APPROVED – RESUBMIT  
 BY: \_\_\_\_\_  
 DATE: \_\_\_\_\_



NOTE: MAX FRAME THICKNESS = 1/4"

4	2		SPROCKET –
3	2	STOCK	SLUG
2	1	STOCK	DIA. OF SHAFT
1	1	STOCK	DIA. ROLLER & THICKNESS
DET.	QTY.	PART NUMBER	MATERIAL & DESCRIPTION

DESCRIPTION:

POWER PULLEY ROLLER – BF

SCALE:

NONE

ENGINEERED BY:

DRAWN BY:

DATE:

ACAD .DWG:

ITEM NUMBER:

SHIP DATE:

JOB NUMBER:

( ) REQD

COMPANY NAME:

LATHRUP INDUSTRIES INC.  
 42300 W. NINE MILE RD., NOVI, MI 48375  
 PH. (800) 536-3003/FAX (248) 349-1062

DRAWING NUMBER: