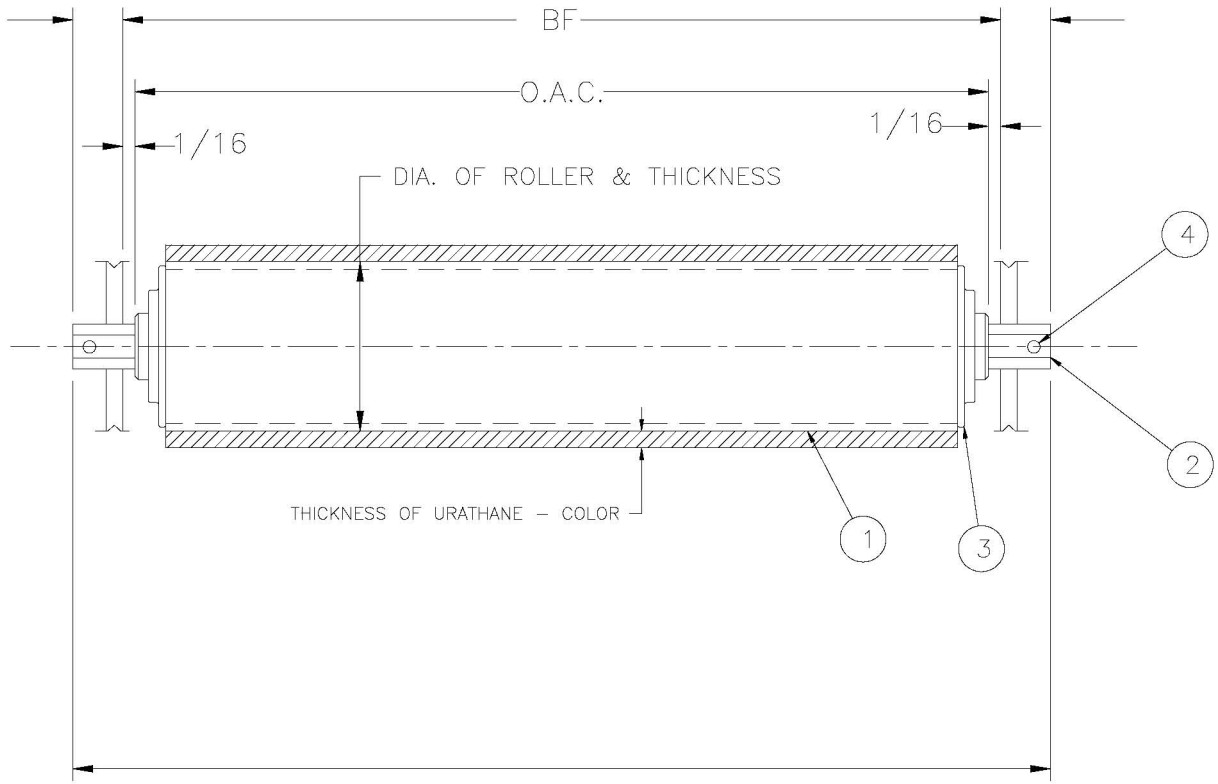


LATHRUP INDUSTRIES, INC.
 FOR APPROVAL ONLY!
 SUBMITTED: _____
 APPROVED WITHOUT CHANGES
 APPROVED WITH CHANGES NOTED
 NOT APPROVED – RESUBMIT
 BY: _____
 DATE: _____



NOTE: MAX FRAME THICKNESS = 1/4"

4	2		COTTER PIN
3	2		BEARING
2	1	STOCK	SHAFT
1	1	STOCK	DIA. ROLLER & THICKNESS
DET.	QTY.	PART NUMBER	MATERIAL & DESCRIPTION

DESCRIPTION:
 GRAVITY ROLLER – BF – PIN RETAINED

SCALE: NONE	ENGINEERED BY:	DRAWN BY:	DATE:
ACAD .DWG:	ITEM NUMBER:	SHIP DATE:	JOB NUMBER:

() REQD